

# RIVTEC®

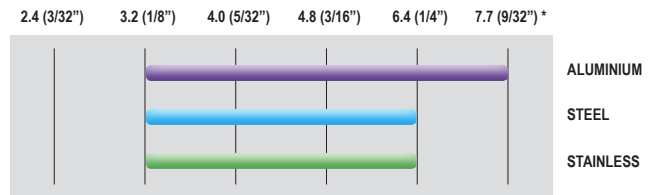
## Gesipa® PowerBird®

### Battery Rivet Tool for Structural Rivets up to 6.4mm Ø

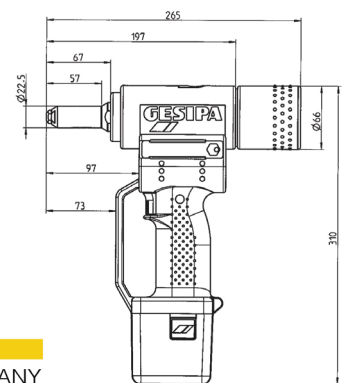
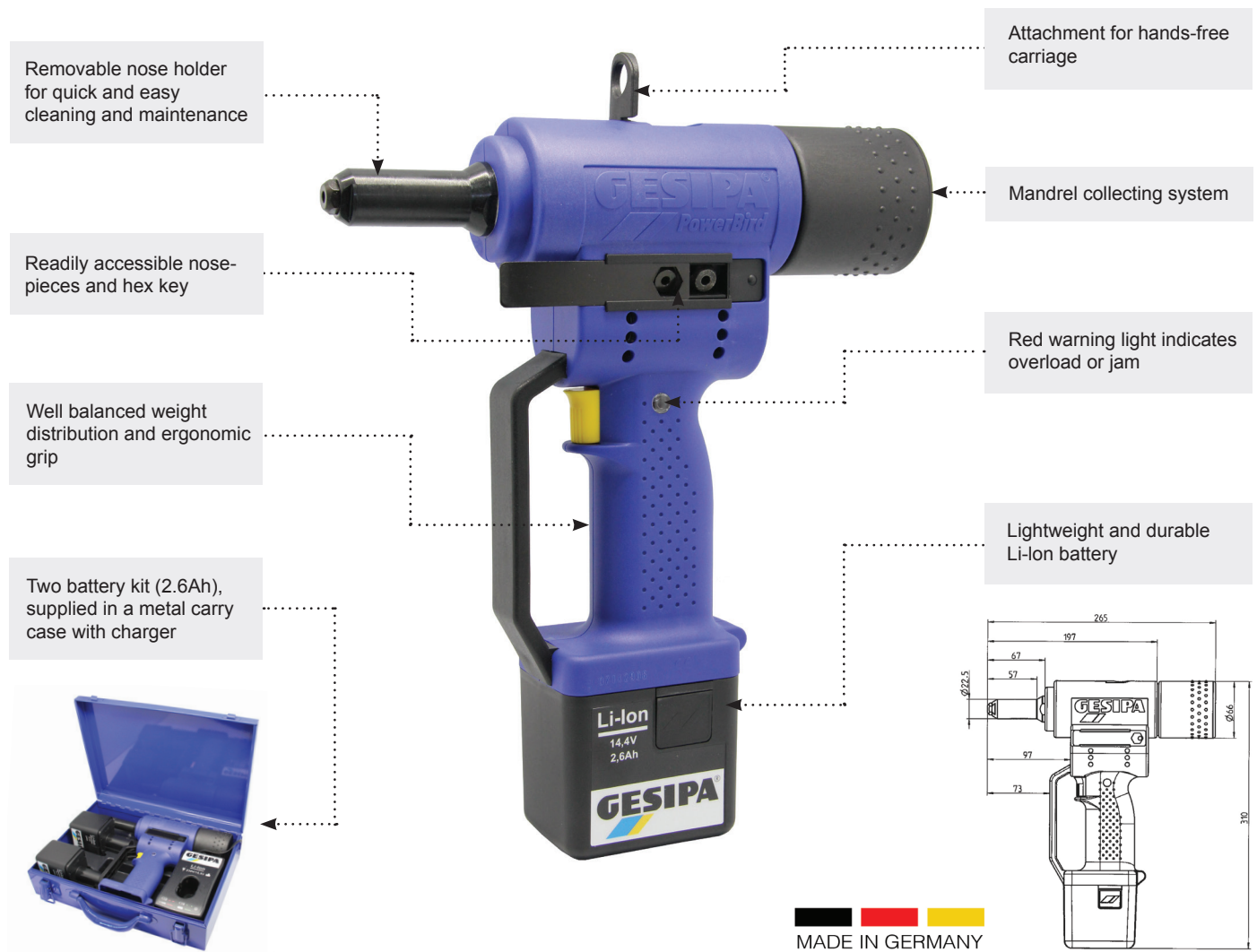
The Gesipa® Powerbird® is a powerful battery rivet tool capable of setting up to 6.4mm stainless steel rivets and 7.7mm Bulb-Tite® rivets.\* This tool has all the features of the Accubird but has a larger capacity and higher pulling force ideal for setting structural rivets.

\*Available as the Powerbird® BT for installation of Gesipa® Bulb-Tite® rivets

### Setting Capacity



\* Bulb-Tite® rivets



MADE IN GERMANY

### Specifications

Product Code (w/ two 2.6Ah batteries & charger):	GT-PBIRD-L2
(includes BulbTite® 7.7mm nosepiece & jaws):	GT-PBIRDBT2-L2
Weight (with battery):	2.2 kg
Length:	265 mm
Operating Voltage:	14.4 V DC
Pulling Force:	13,000 N
Stroke:	20 mm

### Package Accessories

Nosepiece: 17/45 in working position
Nosepieces: 17/32, 17/36 and 17/40 in nosepiece holder
One hex. wrench SW12
Jaw pusher for 4.8mm & smaller rivets
Operating manual with spare parts list
Quick charger operating manual

\* Dimensions and specifications are subject to change without notice. Check your distributor for the latest data sheet.

Unit 22, 24 Garling Road, Kings Park, NSW 2148  
 PH: 02 9622 7770 FAX: 02 9622 7774

[www.rivtec.com.au](http://www.rivtec.com.au)

